

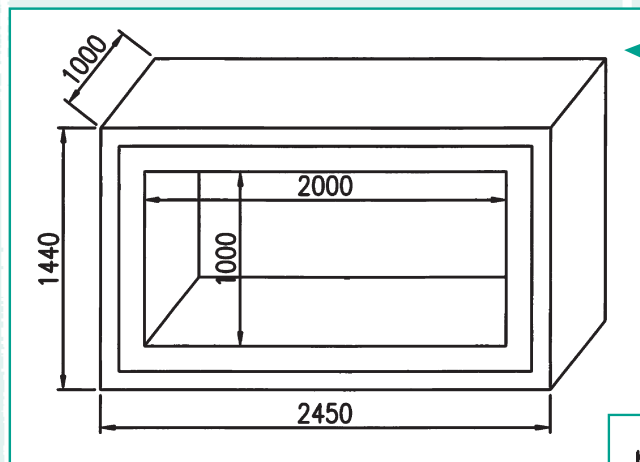
stresslite

precast solutions
for all levels of construction

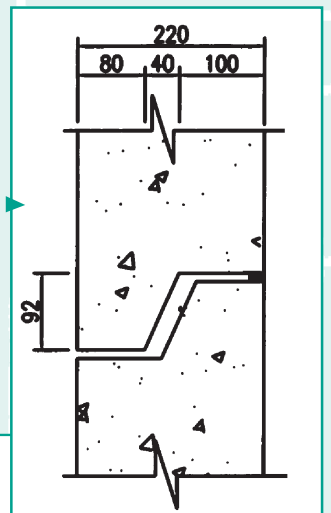
box culverts



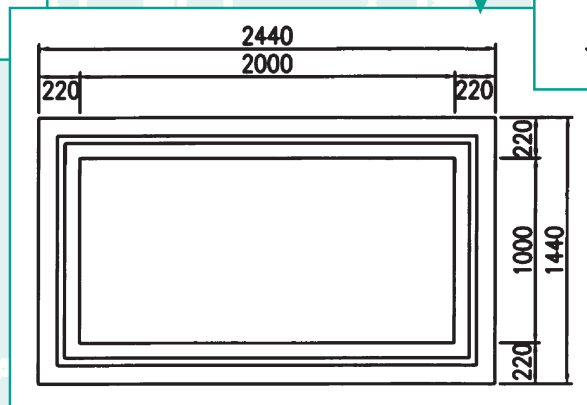
Stresslite precast concrete box culverts are specified and used regularly for culverting roads, storm and foul sewers, sea outfalls, tunnels and subways, underpasses, stream crossings, and vertical chambers. In addition they may be used as tanks for attenuation of storm, foul or potable water. Box culverts provide high flow capacities even where the gradient is low or headroom is restricted. They are individually designed to cater for a wide range of external loading conditions from shallow to deep fill. We hold all standard sizes in stock.



typical joint section



typical elevation



Stresslite Tanks and Floors, Hempstown, Blessington, Co. Wicklow, Ireland.
t: +353(0)45 891300 • f: +353(0)45 891027 • www.stresslite.ie • e: sales@stresslite.ie