

stresslite

precast solutions

for all levels of construction

precast stairs



The Stresslite precast stairs

is designed to BS 8110. The stairs is cast to give a smooth finish on top to allow a carpet finish.

The underside can be finished with timber clad or skimmed. The precast stairs can be designed to suit almost any stair layout. The external stairs can include a non-slip finish if required to the Architects details.

The stairs compliments the flooring as a complete composite layout.

70mm CONCRETE SCREED
BY MAIN CONSTRACOR

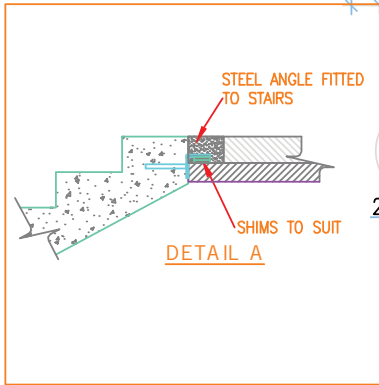
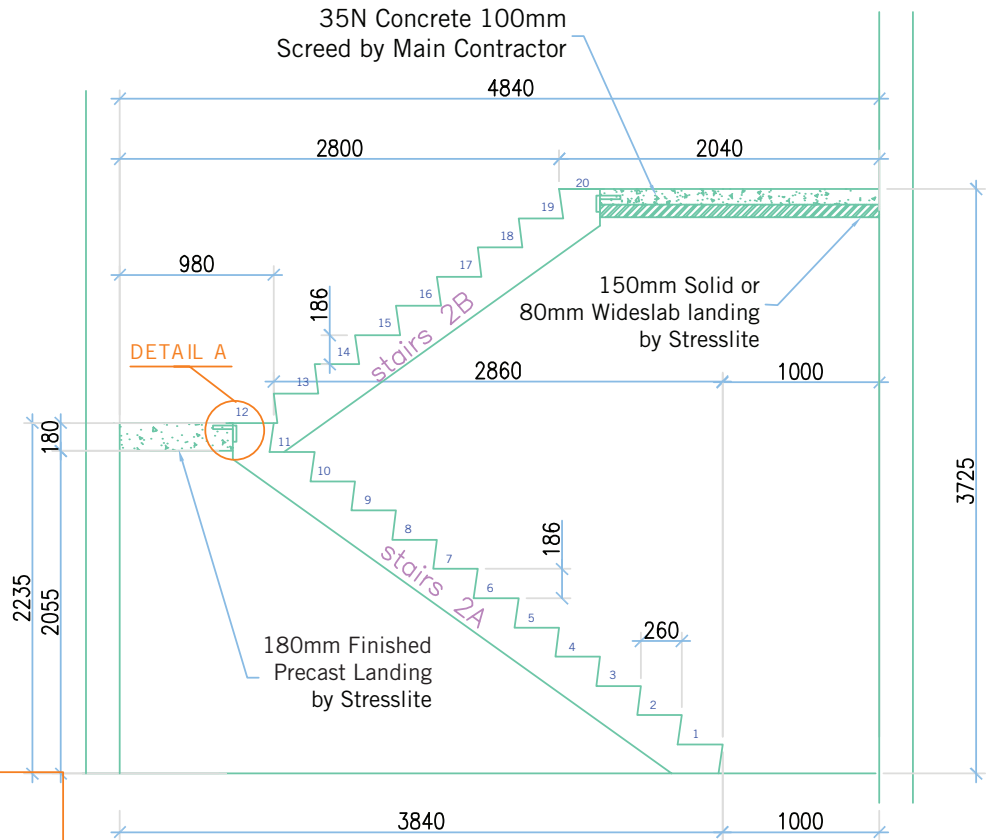
150mm PRECAST SLABS

ANGLE SUPPORTS
FOR LANDING BY
MAIN CONTRACTOR

Stresslite Tanks and Floors Ltd., Hempstown, Blessington, Co. Wicklow, Ireland.

t: + 353 (0) 45 891300 • f: + 353 (0) 45 891027 • www.stresslite.ie

Typical Stairwell



2

A

