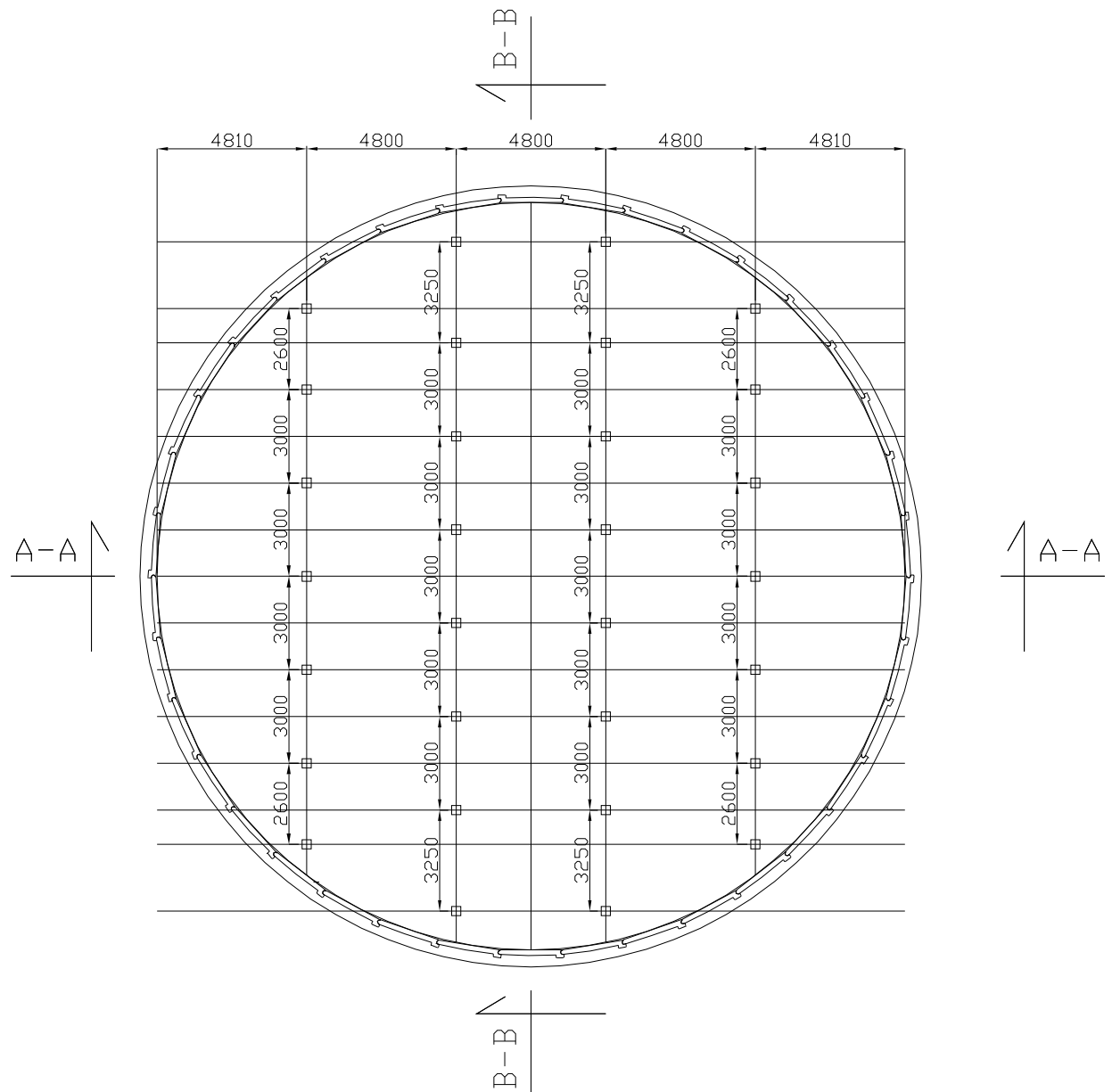
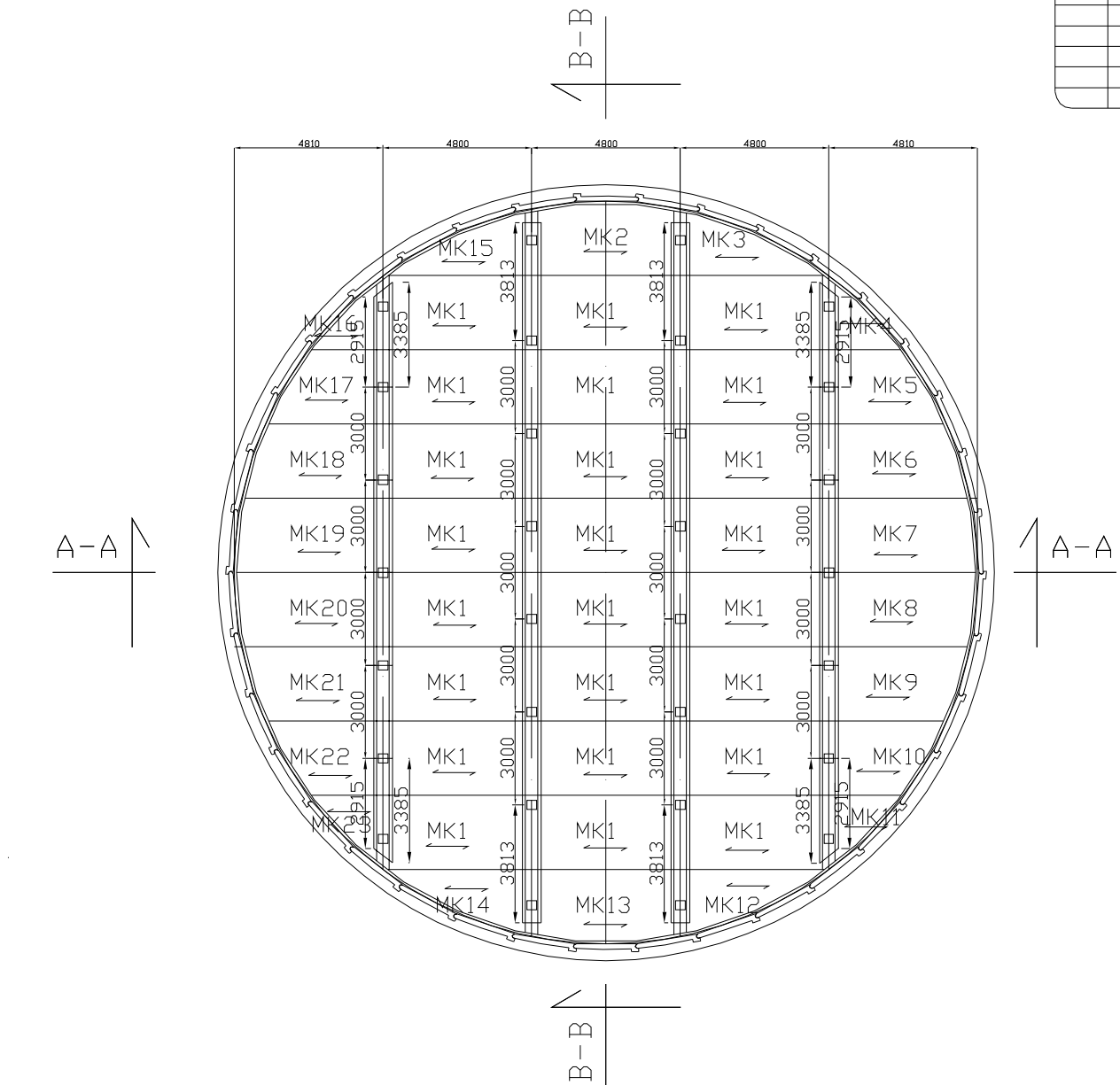


VOLUME 905 m<sup>3</sup>

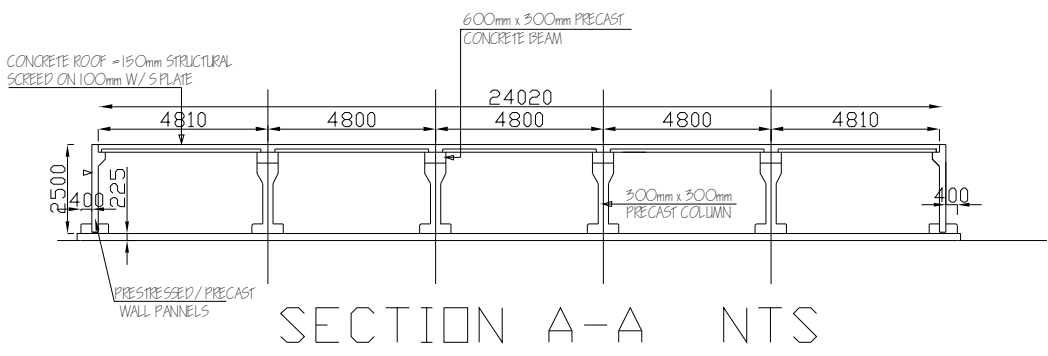
Item	Description	Qty



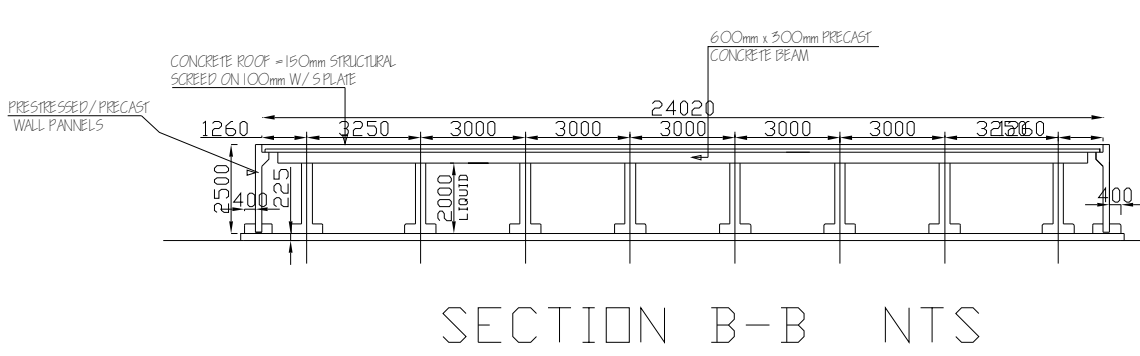
∅24.02m TANK FLOOR LAYOUT NTS



∅24.02m TANK ROOF LAYOUT NTS



SECTION A-A NTS



SECTION B-B NTS

REV	DATE	DESCRIPTION



THE TANK PEOPLE  
 Hempstown Blessington Co. Wicklow Ireland  
 Phone : (045) 891800 Fax : (045) 891027  
 E-MAIL : streslit@indigo.ie  
 WEBB : www.stresslite.ie

CLIENT:	SAMPLE
PROJECT:	UNKNOWN
TITLE:	Attenuation Tank Layout

Scale	NTS	Date	17/10/05
Drawn	MW	Checked	DRAWING NO. SA.01