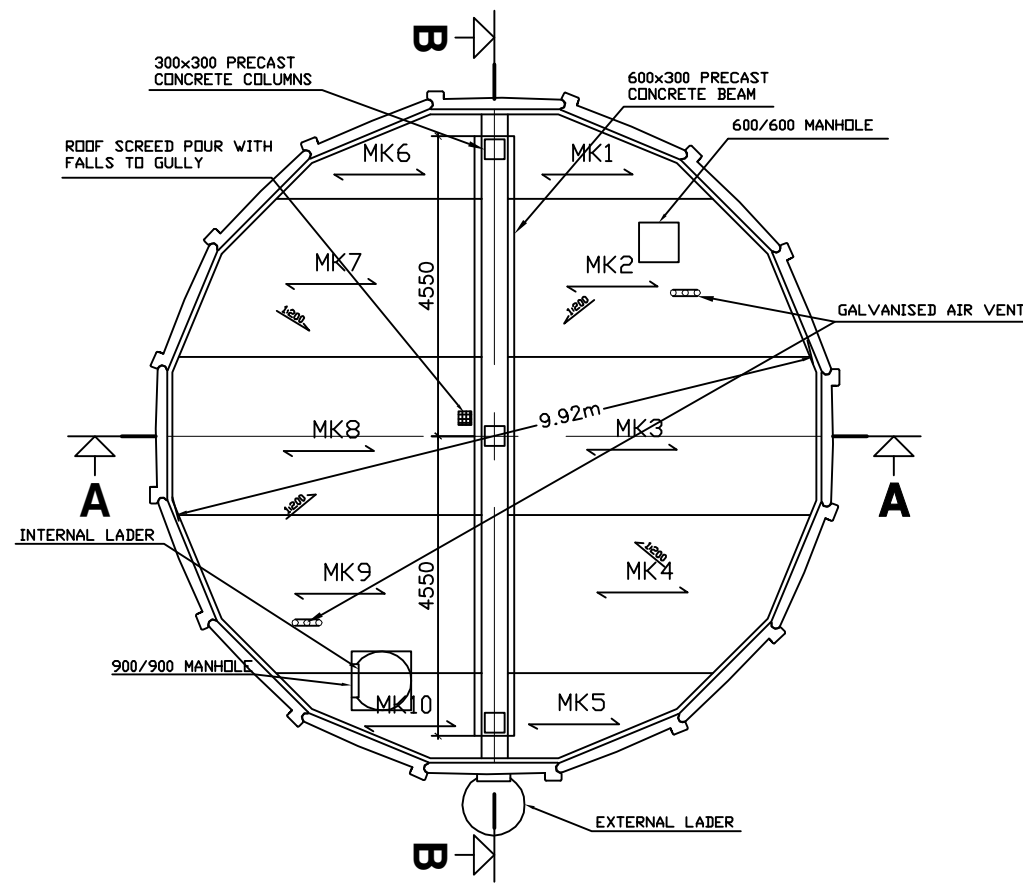


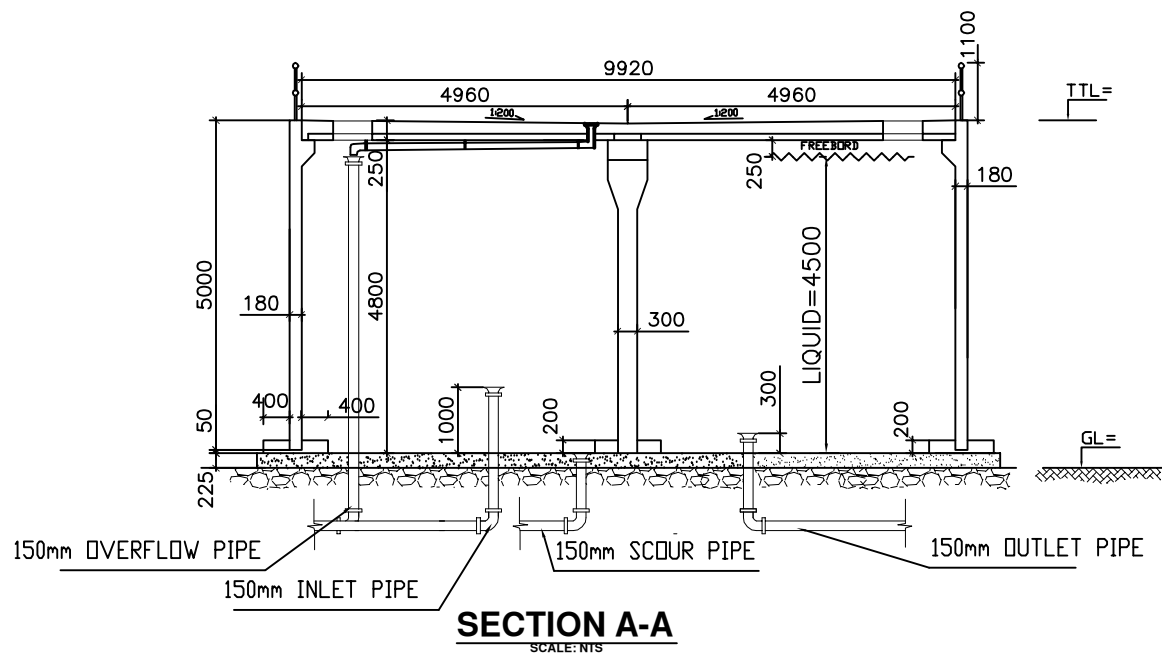
Ø9.92m TANK FLOOR LAYOUT
SCALE: NTS



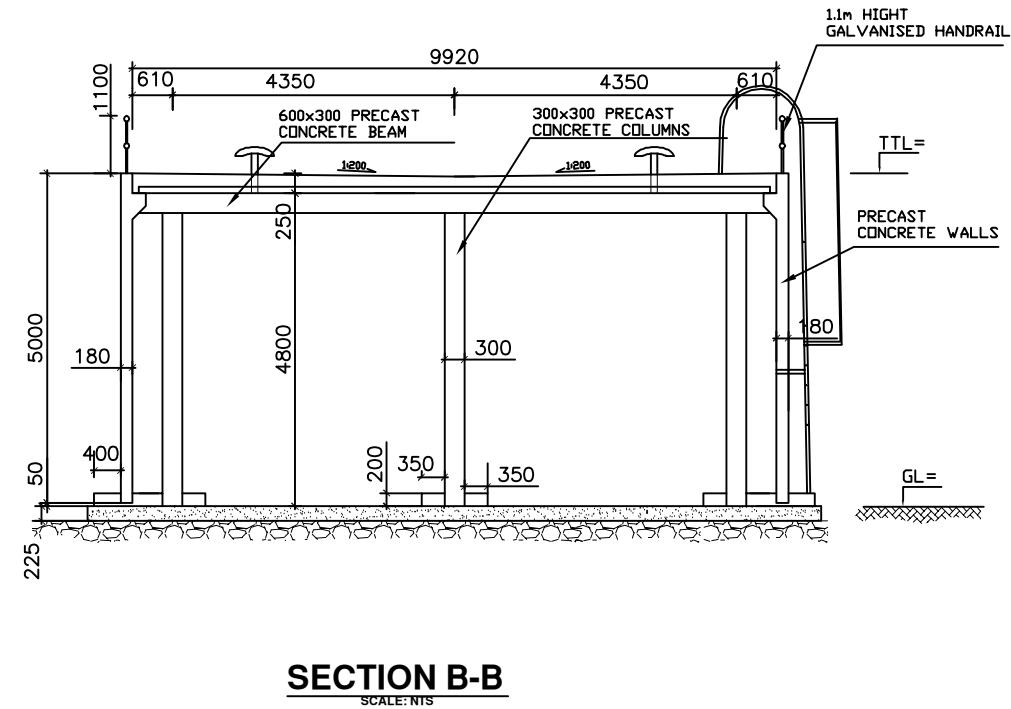
Ø9.92m TANK ROOF LAYOUT
SCALE: NTS

NOTES

- DO NOT SCALE THIS DRAWING - IF IN DOUBT - ASK
- ALL DIMENSIONS ARE IN MILLIMETRES UNLESS OTHERWISE NOTED.
- CONCRETE GRADES:
WALL AND ROOF PANELS 50N/20
CAST IN-SITU ELEMENTS 35N/20
- POSTENSIONING CARRIED OUT USING 12.4mmØ GREASED AND PVC COATED SUPERSTRAND STRESSING VALUES: MAX INITIAL 50KN
MAX FINAL 170KN
- JOINTS BETWEEN PANELS ARE TREATED WITH SIKATOP 107 COMPOUND
- DRAWING TO BE READ IN CONJUNCTION WITH STRUCTURAL CALCULATIONS FOR RESERVOIR
- ALL PIPEWORK INSTALLATION TO BE GENERALLY IN ACCORDANCE WITH CONSULTING ENGINEERS DETAILS AND DRAWINGS.
- REINFORCING BARS TO BS 4449 - 1988
FABRIC MESH TO BS 4483 - 1988
PRESTRESSING STRAND TO BS 5896 - STANDARD
POSTENSIONING STRAND TO BS 5896 - SUPER



SECTION A-A
SCALE: NTS



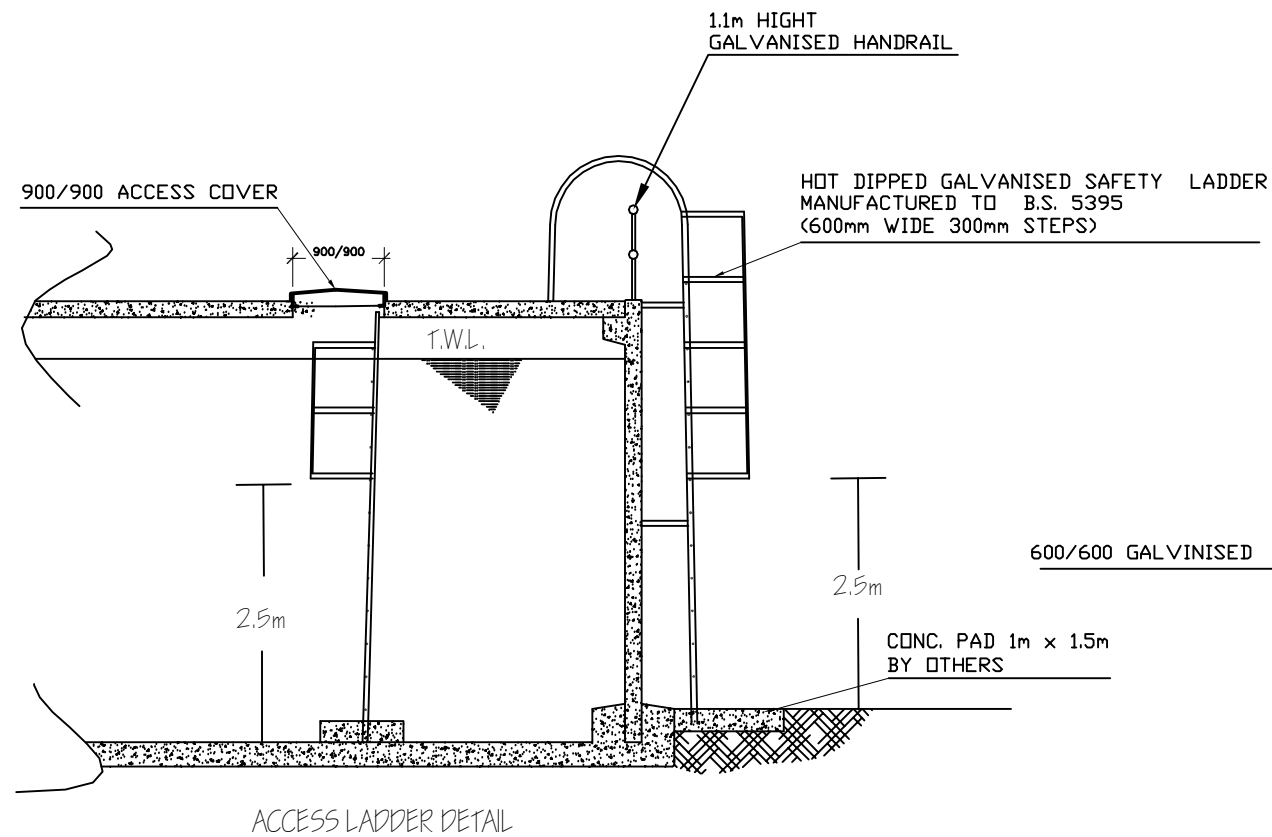
SECTION B-B
SCALE: NTS

VOLUME: 354m³

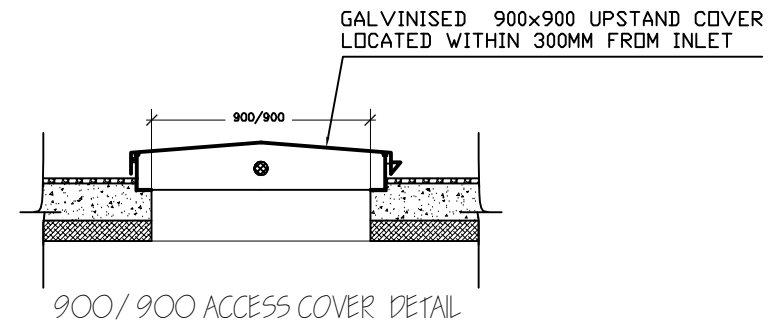


THE TANK PEOPLE
Hempstown Blessington Co. Wicklow Ireland
Phone : (045) 891300 Fax : (045) 891027

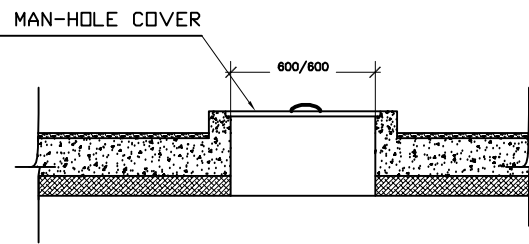
CLIENT:	SAMPLE	
PROJECT:	SAMPLE 354m ³	
TITLE:	9.92Øx5.0 HIGH RESERVOIR TANK LAYOUT	
Scale	NTS	Date
Drawn	MW	Checked
DRAWING NO.	97.4.1	



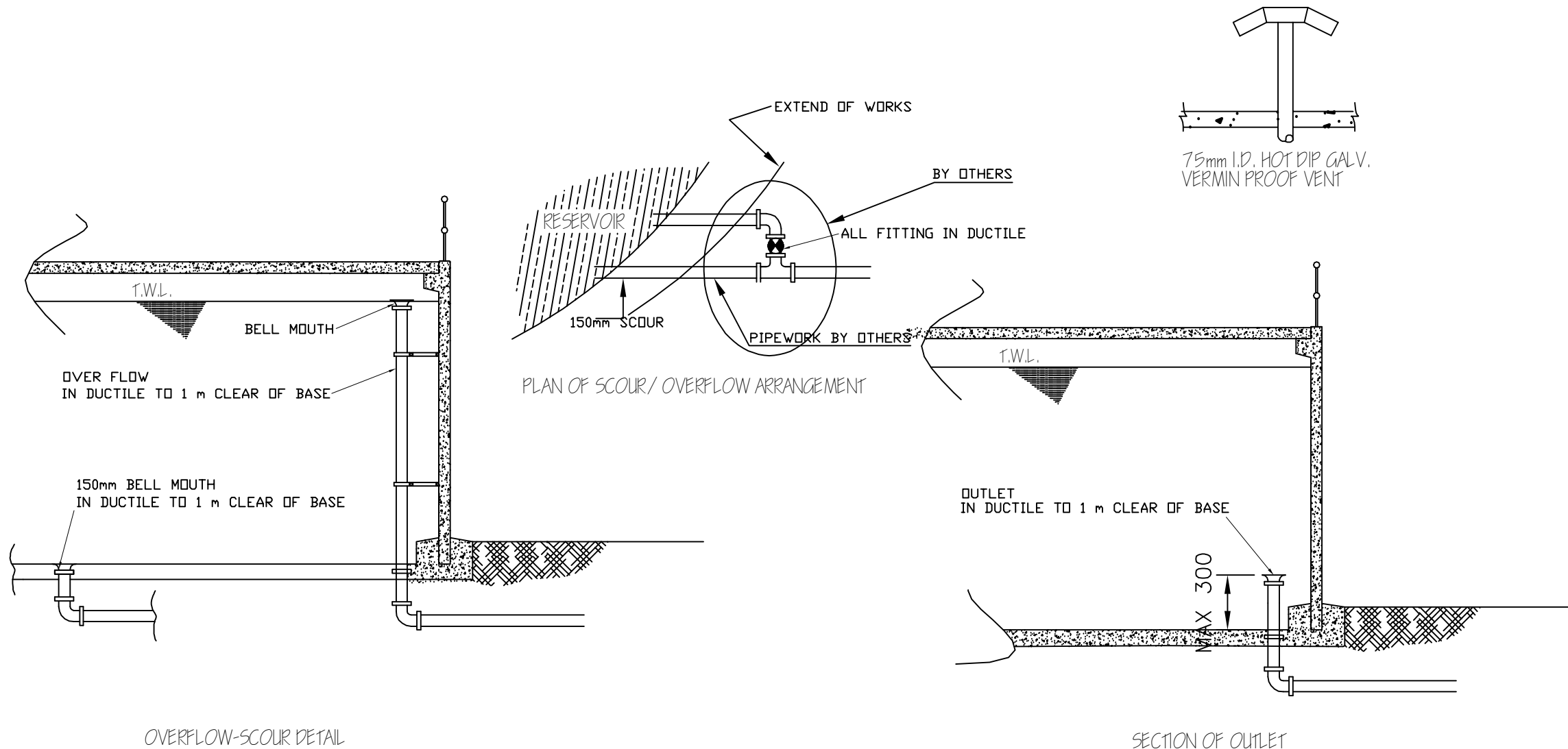
ACCESS LADDER DETAIL



900/900 ACCESS COVER DETAIL



600/600 ACCESS COVER DETAIL



OVERFLOW-SCOUR DETAIL

SECTION OF OUTLET

NOTES

1. DO NOT SCALE THIS DRAWING - IF IN DOUBT - ASK
2. ALL DIMENSIONS ARE IN MILLIMETRES UNLESS OTHERWISE NOTED.
3. CONCRETE GRADES:
WALL AND ROOF PANELS 50N/20
CAST IN-SITU ELEMENTS 35N/20
4. POSTENSIONING CARRIED OUT USING 12.4mm ϕ GREASED AND PVC COATED SUPERSTRAND STRESSING VALUES: MAX INITIAL 50KN
MAX FINAL 170KN
5. JOINTS BETWEEN PANELS ARE TREATED WITH SIKATOP 107 COMPOUND
6. DRAWING TO BE READ IN CONJUNCTION WITH STRUCTURAL CALCULATIONS FOR RESERVOIR
6. ALL PIPEWORK INSTALLATION TO BE GENERALLY IN ACCORDANCE WITH CONSULTING ENGINEERS DETAILS AND DRAWINGS.
7. REINFORCING BARS TO BS 4449 - 1988
FABRIC MESH TO BS 4483 - 1988
PRESTRESSING STRAND TO BS 5896 - STANDARD
POSTENSIONING STRAND TO BS 5896 - SUPER



THE TANK PEOPLE
Hempstown Blessington Co. Wicklow Ireland
Phone :(045) 891300 Fax :(045) 891027

CLIENT:	SAMPLE	
PROJECT:	SAMPLE	
TITLE:	9.92 ϕ x5.0m HIGH RESERVOIR TANK PIPE&LADDER DETAILS	
Scale	NTS	Date 14-11-05
Drawn	MW	Checked
DRAWING NO.	97.4.3	