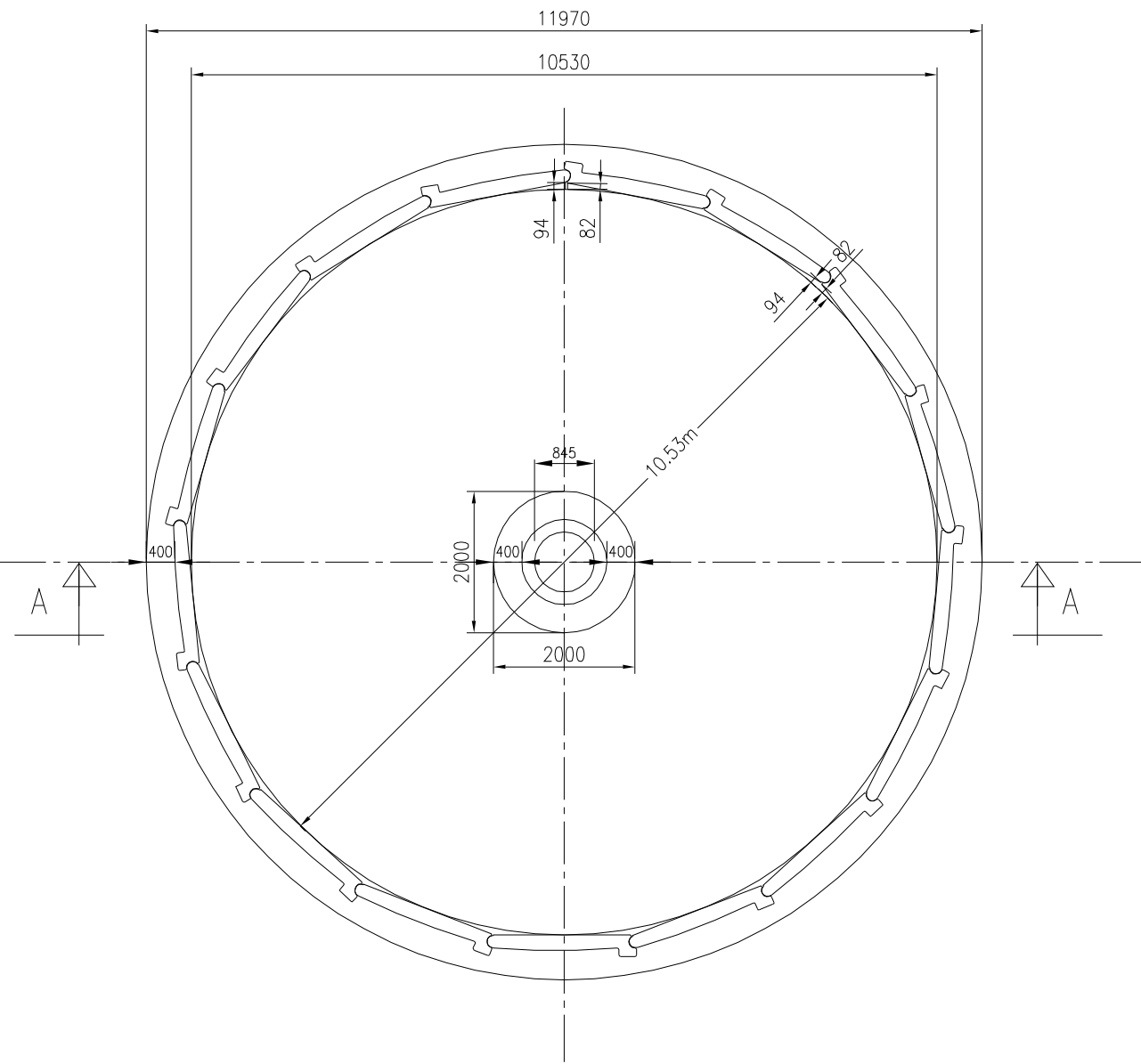
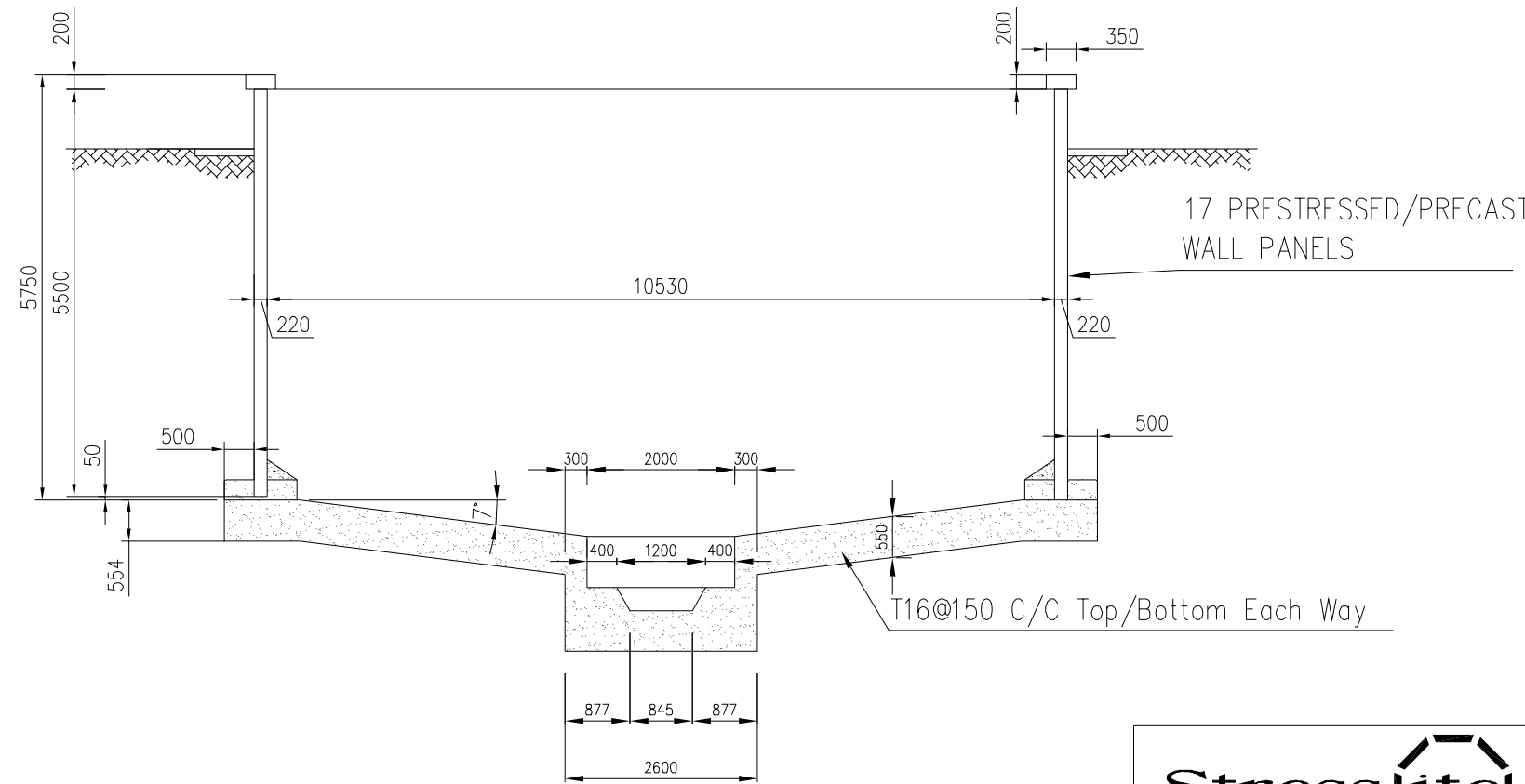


NOTES

- DO NOT SCALE THIS DRAWING - IF IN DOUBT - ASK
- ALL DIMENSIONS ARE IN MILLIMETRES UNLESS OTHERWISE NOTED.
- CONCRETE GRADES:
WALL AND ROOF PANELS 50N/20
CAST IN-SITU ELEMENTS 35N/20
- POSTENSIONING CARRIED OUT USING 12.4mm ϕ GREASED AND PVC COATED SUPERSTRAND
STRESSING VALUES: MAX INITIAL 50KN
MAX FINAL 170KN
- JOINTS BETWEEN PANELS ARE TREATED WITH SIKATOP 107 COMPOUND
- DRAWING TO BE READ IN CONJUNCTION WITH STRUCTURAL CALCULATIONS FOR RESERVOIR
- ALL PIPEWORK INSTALLATION TO BE GENERALLY IN ACCORDANCE WITH CONSULTING ENGINEERS DETAILS AND DRAWINGS.
- REINFORCING BARS TO BS 4449 - 1988
FABRIC MESH TO BS 4483 - 1988
PRESTRESSING STRAND TO BS 5896 - STANDARD
POSTENSIONING STRAND TO BS 5896 - SUPER



ϕ 10.53m CLARIFIER TANK LAYOUT
NTS



SECTION A-A
SCALE: NTS



THE TANK PEOPLE
Hempstown Blessington Co. Wicklow Ireland
Phone :(046) 891300 Fax :(046) 891027

CLIENT:	Sample - Unknown	
PROJECT:	CLARIFIER TANK	
TITLE:	10.53m ϕ x6.0m HIGH TANK, 17 WALLS LAYOUT - For Info Purposes Only	
Scale	NTS	Date
Drawn	MW	Checked
		DRAWING NO.
		97.1